

Service description

Product: SP400	Service description no: 3125-S010	Ver: 1
-------------------	---	-----------

Symptom

The double gearbox replacement.

Caused by

The hole pattern in the new gearbox does not match the hole pattern on the tractor attachment.

Solution

Follow the instructions below of the new gearbox replacement.

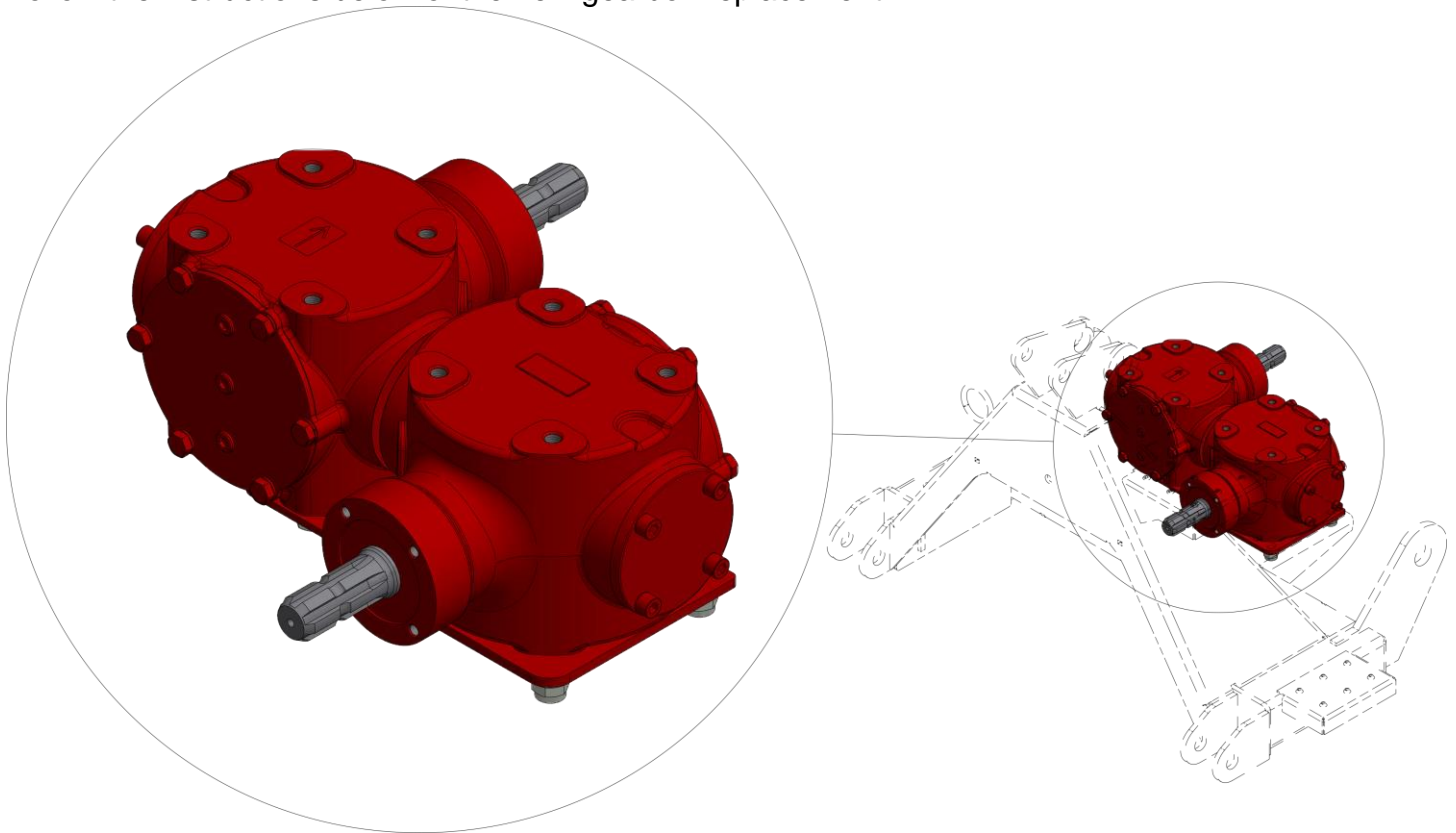


Figure 1

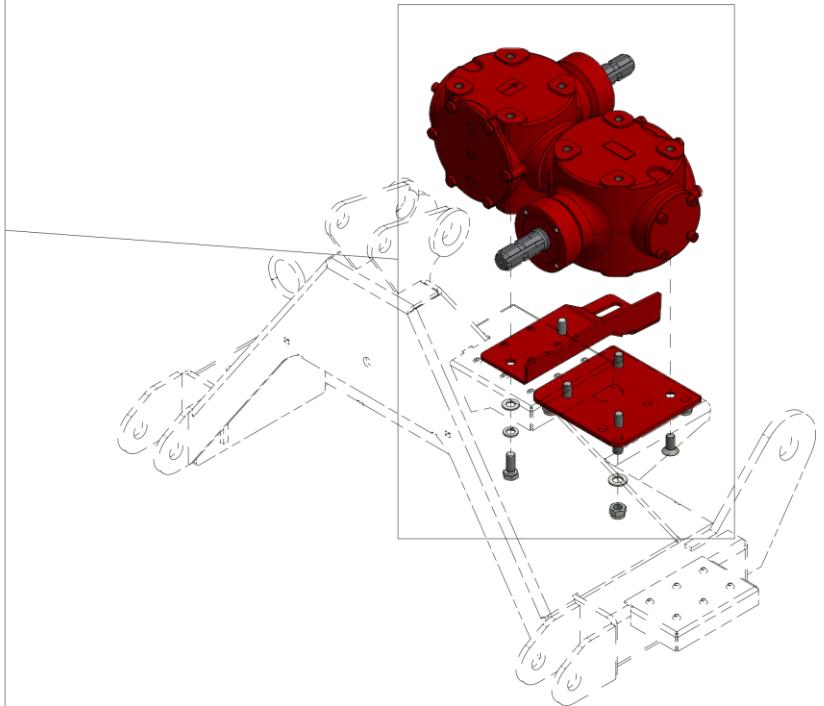
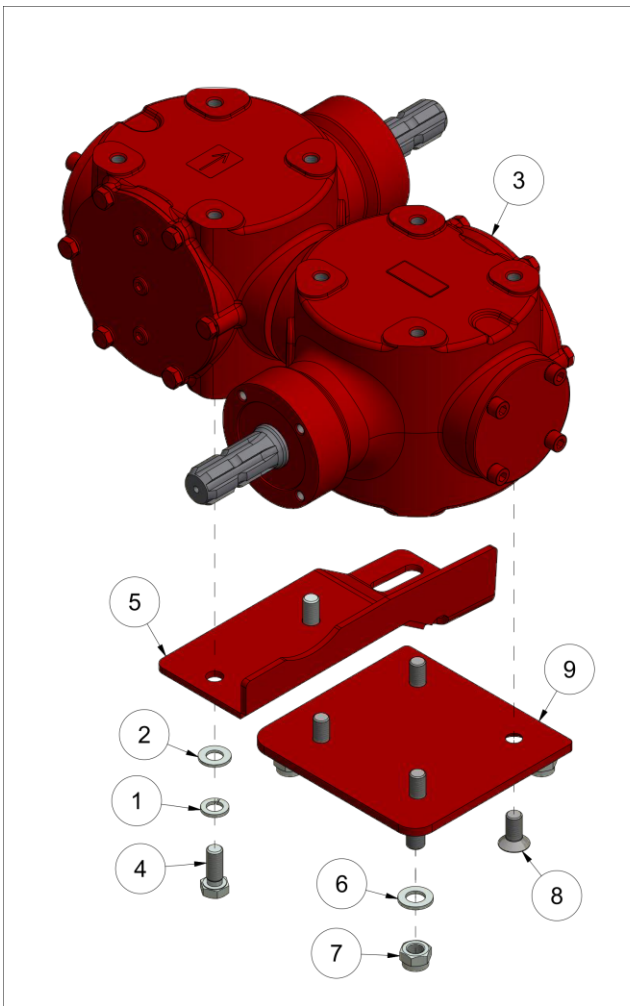


Figure 2

Pos	No	Article no	Designation
1	2	2534072	Spring washer M14 ElZn DIN 127
2	2	2531072	Washer M14 ElZn DIN 125
3	1	2961189	Gear box 1:1,35 2x90°
4	2	2422396	Hexagon screw M14x35 ElZn 8.8 DIN 933
5	1	13127048	Gearbox support
6	4	2531078	Washer M16 ElZn DIN 125
7	4	2483613	Locking nut M16 ElZn DIN 985
8	4	2472394	Countersunk head screw M14x30 ElZn 10.9 DIN 7991
9	1	13127051	Gearbox replacement Fixing plate SP400